

13 12 11 10 9 8 7 6 5 4 3 2 1

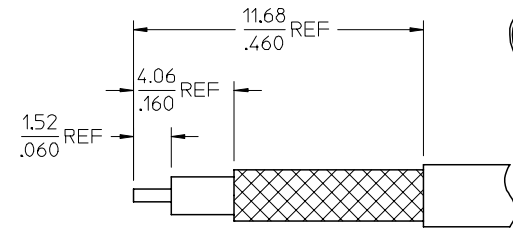
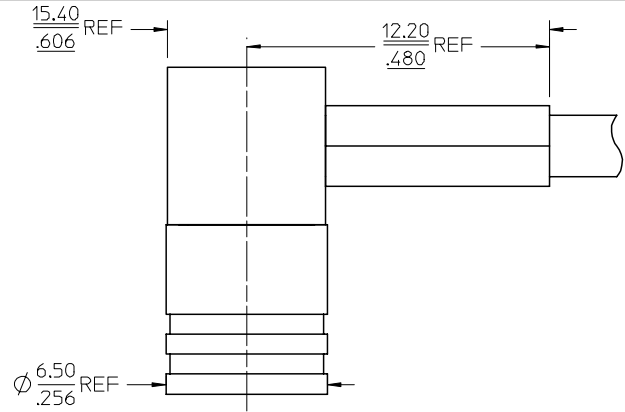
MATERIALS AND FINISHES

BODY BRASS, FERRULE, CAP
PLATED GOLD

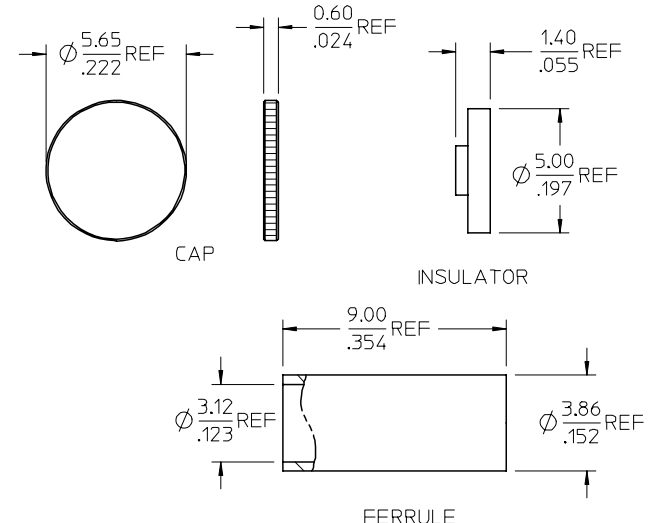
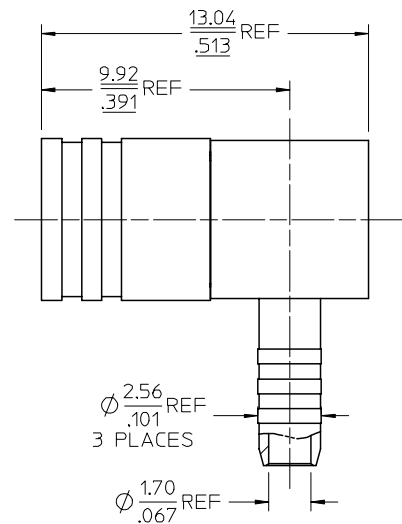
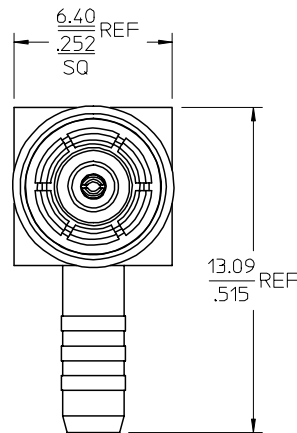
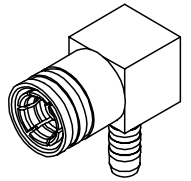
CENTER CONTACT BERYLLIUM COPPER
PLATED GOLD

INSULATOR TEFLON

RETAINING RING BERYLLIUM COPPER



RECOMMENDED STRIP DIMENSIONS
CRIMP USING 3.25 HEX DIE



AS-73597-0063	CABLE ASSY. INSTRUCT.
PS-73598-0099	ELECTRO/MECH. PERFORM.
SPECIFICATION	DESCRIPTION

73396-0610	SMALL TRAY PACKING
73404-2320	73100-0257, ONE PER BAG
73100-0257	BULK
PART NO.	PACKAGING

CHG ADDED NOTE
73396-0610, SMALL
TRAY PACKING
TITLE DESCRIPTION
FC NO: URF2008-0101
DRAWN: SCHOU 2007/08/28
CHKD: 2007/08/28
APPR: MJIANG 2007/08/29
B2

QUALITY SYMBOLS =0 =0	GENERAL TOLERANCES (UNLESS SPECIFIED)	DIMENSION STYLE MM/IN	SCALE	DESIGN UNITS METRIC	THIRD ANGLE PROJECTION
	4 PLACES ±--- 3 PLACES ±--- 2 PLACES ±--- 1 PLACE ±---	mm INCH	DRAWN BY DATE 1995/08/29	TITLE SMB PLUG,R/A 50 OHMS FOR RG174A,188A,316/U CABLE SMB-PC/RA	
ANGULAR ±---°	DRAFT WHERE APPLICABLE MUST REMAIN WITHIN DIMENSIONS	APPROVED BY DATE	MATERIAL NO. SIZE SEE TABLE	DOCUMENT NO. SD-73100-0257	SHEET NO. 1 OF 1
THIS DRAWING CONTAINS INFORMATION THAT IS PROPRIETARY TO MOLEX INCORPORATED AND SHOULD NOT BE USED WITHOUT WRITTEN PERMISSION					

12 11 10 9 8 7 6 5 4 3 2 1